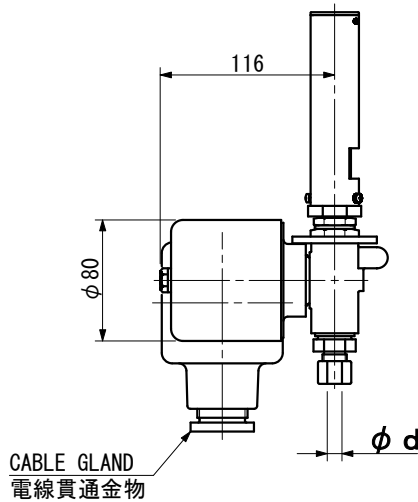
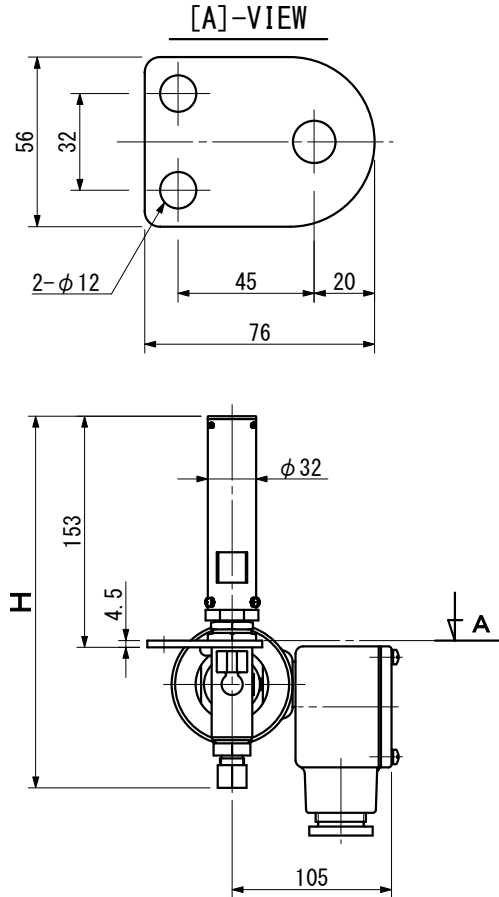
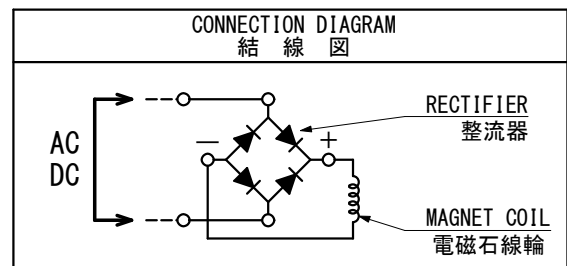


|                              |             |                                |                       |                          |                      |
|------------------------------|-------------|--------------------------------|-----------------------|--------------------------|----------------------|
| 6-EV-32-W                    |             | AIR WHISTLE<br>エアホイッスル         |                       | OUTLINE VIEW<br>外形図      | MASS<br>質量<br>3.0 kg |
| SOUND LEVEL<br>音圧レベル         | 126dB/1m    | FUNDAMENTAL FREQUENCY<br>基本周波数 | APPROX. 約 2400Hz      | RATING<br>定格             | 30 MIN               |
| AIR PRESSURE RANGE<br>空気圧力範囲 | 0.4~1.0 MPa | CONSUMPTION<br>消費量             | FREE AIR<br>自由空気 5L/S | PROTECTION GRADE<br>保護等級 | IP 56                |



| SOURCE<br>電源                |             | EXCITING CUR.<br>励磁電流 |     |
|-----------------------------|-------------|-----------------------|-----|
| AC 220V, 1φ, 60Hz           |             | 0.1 A                 |     |
| AC 100~115V, 1φ, 60Hz       |             | 0.2 A                 |     |
| DC 22~24V                   |             | 0.8 A                 |     |
| PIPING (OUTSIDE)<br>接続管(外形) |             | φ d                   | H   |
| 10                          | COPPER<br>銅 | 10.0                  | 245 |
| 15                          | COPPER<br>銅 | 15.0                  | 248 |
| 10A                         | STEEL<br>鋼  | 17.3                  | 249 |
| 15A                         | STEEL<br>鋼  | 21.7                  | 276 |



|      |      |         |                                  |                      |         |                |
|------|------|---------|----------------------------------|----------------------|---------|----------------|
| DATE | REV. | REMARKS | IBUKI KOGYO CO. LTD.<br>伊吹工業株式会社 | D. W. N. Y. Ueda     | DATE    | AUG. -23. 2010 |
|      |      |         |                                  | C. K. D. F. Shintaku | SCALE   | 1/5            |
|      |      |         |                                  | C. K. D.             | DWG. NO | ibk-03010303   |